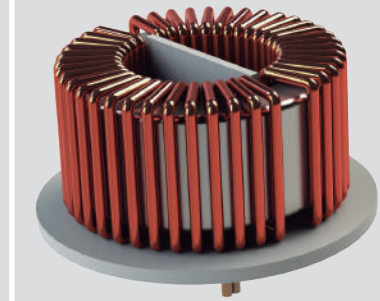


New

CMCN4R0-12H

Common Mode Choke 2x4mH / 12Adc

INDUCTIVE COMPONENTS / COMMON MODE CHOKES



APPLICATIONS

- › Automotive EV/PHV AC/DC onboard battery chargers
- › Automotive HV/LV DC/DC converters

01 FEATURES

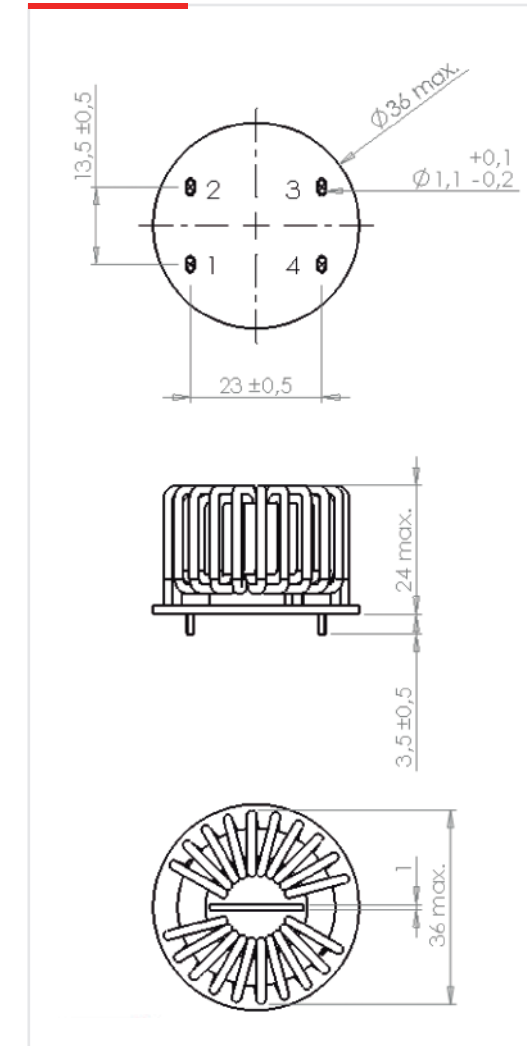
- › High performance CMC using nanocrystalline core
- › Optimized size for higher power density
- › Wide operating temperature range -40 to +140°C
- › UL94V and RoHS materials
- › AEC-Q200 qualified
- › Weight : approx 35grams

02 OPERATION

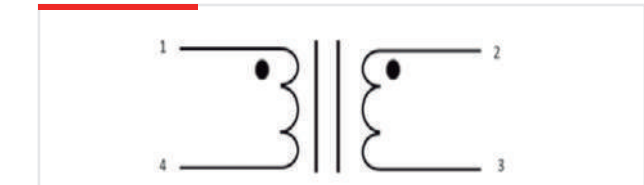
- › Up to 12A (RMS or DC) per winding
- › Total losses < 2.5W @100°C/2x12Arms
- › Estimated temperature rise on PCB < 30°C

03 SPECIFICATIONS

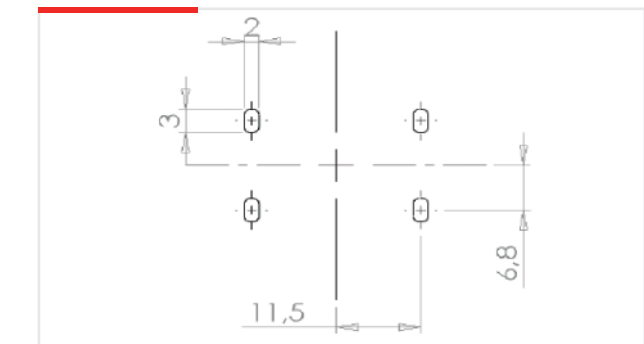
DIMENSIONS



ELECTRICAL DIAGRAM



RECOMMENDED PAD-LAYOUT



ELECTRICAL SPECIFICATIONS

INDUCTANCE at 25°C	
$L_{1-4} = L_{2-3}$ (10kHz/0.3Vac)	4.0mH TYP (2.2mH MIN)
$L_{1-4} = L_{2-3}$ (100kHz/0.3Vac)	0.5mH MIN
TURN-RATIO	
$N_{1-4} : N_{2-3}$ (10kHz/1Vac)	1:1
DC RESISTANCE at 25°C	
$DCR_{1-4} = DCR_{2-3}$	4mΩ TYP (6mΩ MAX)
DIELECTRIC STRENGTH	
Between Windings	2500Vac (50Hz/3mA/1min)