

New

## WC-RX-002-90K

Receiving antenna flexible-pad for the wireless power transfer in the electric vehicles

WIRELESS CHARGING ANTENNAS



### FEATURES

- › Electrical insulation, magnetic flexible-core and coil integrated in a single pad.
- › Excellent dissipation of impact energy.
- › The PBM increased coupling factor "K".
- › Flexible magnetic core-shape.
- › High electrically insulated.

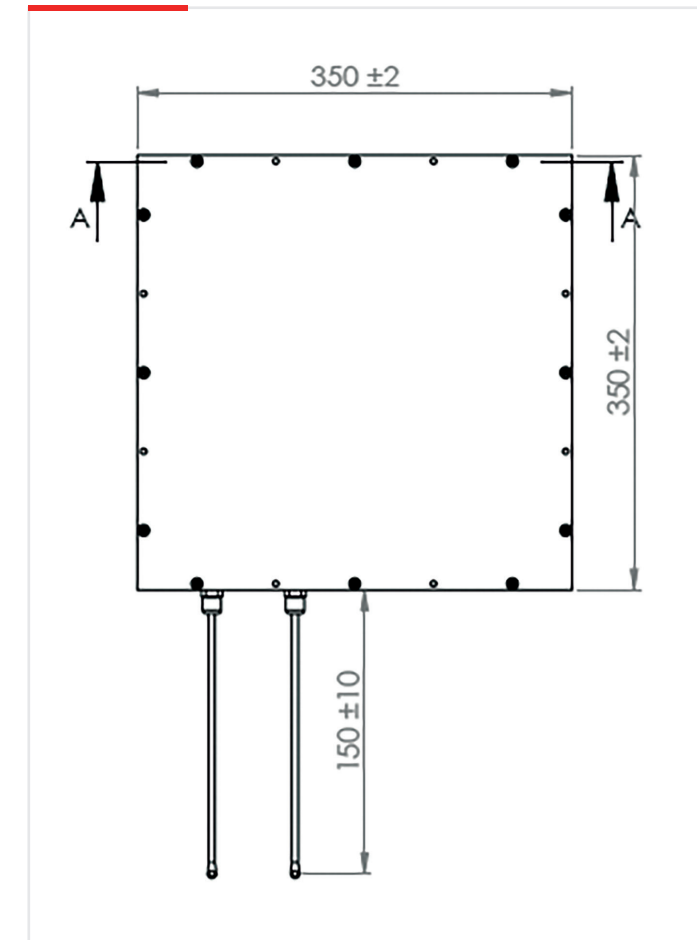
## 01 CHARACTERISTICS

The housing of this pad is made of magnetic powder in a polymer matrix or PBM (Polymer Bonded Magnetics).

- › Resonance frequency around 85 kHz.
- › Wireless Power Transfer class 2 (7.7 kW).
- › Z-class:2 (VA coil ground clearance range: 140-210 mm).
- › Interoperability with ground assembly classes WPT1 through WPT3.
- › Compatibility with ground assembly classes Z2 and Z3.
- › The mechanical dimensions have been designed based on SAE International WPT2/Z2 proposals.

## 02 DIMENSIONS

DIMENSIONS (mm)



ELECTRICAL PARAMETERS

$L_{GA} \text{ min} [\mu\text{H}]$	$L_{GA} \text{ max} [\mu\text{H}]$
42.1	43.7