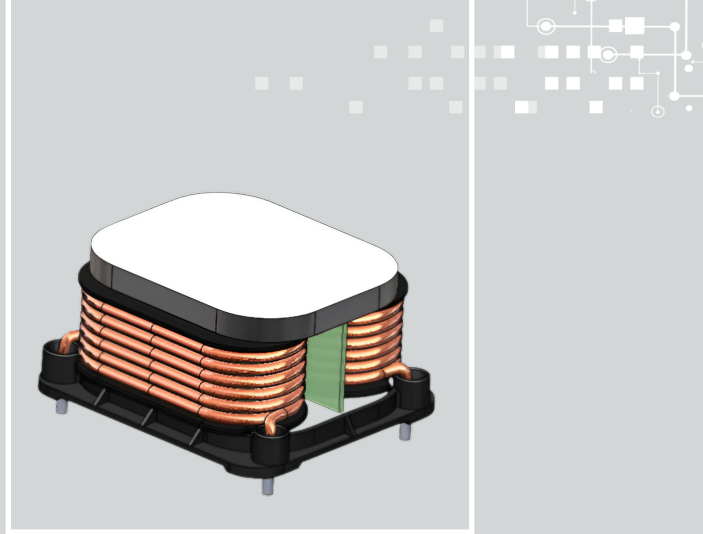


New

DMCMCF1R3-25H

DM Common Mode Choke 20 μ H 25-30Arms

INDUCTIVE COMPONENTS / COMMON MODE CHOKES



APPLICATIONS

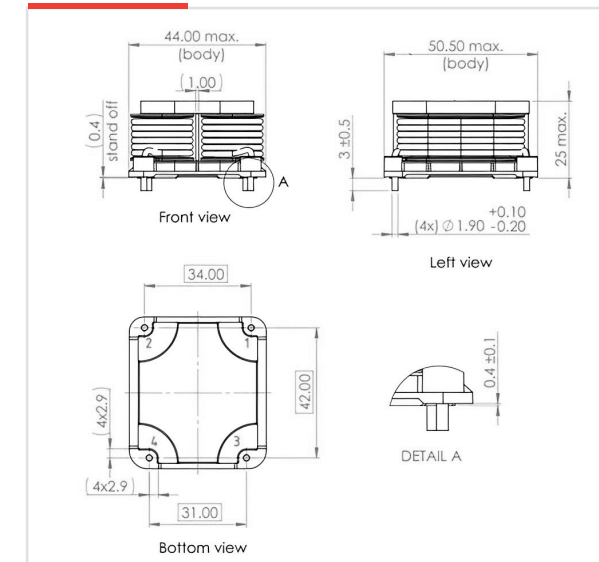
- > Automotive EV/PHV AC/DC onboard battery chargers
- > Automotive HV/LV DC/DC converters

01 FEATURES

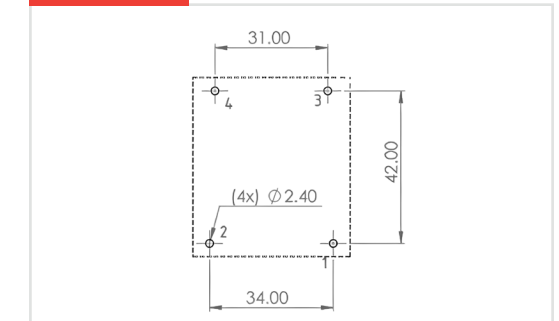
- > H-CMC Choke
- > 25 Adc Current
- > Operating Temperature -40°C to +130°C
- > COPPER LOSS (@25Adc, 100°C, 2 windings) 12.5 W
- > Weight : approx 150grams

02 SPECIFICATIONS

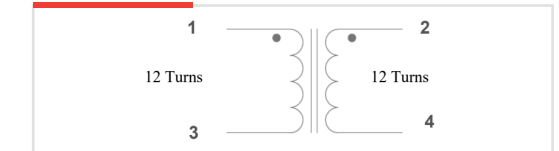
DIMENSIONS (mm)



RECOMMENDED PAD-LAYOUT



ELECTRICAL DIAGRAM



ELECTRICAL SPECIFICATIONS

INDUCTANCE at 25°C

CM Inductance @100kHz: L1-3 = L2-4	1mH min < 1.3mH TYP
DM Inductance @100kHz: L1-3	20 μ H min < 25 μ H TYP

TURN-RATIO

1°-3 / 2°-4 (100kHz/0.3Vac)	1:1
-----------------------------	-----

DC RESISTANCE at 25°C

W1=W2	7.8 m Ω TYP (8.5m Ω MAX)
-------	--

DIELECTRIC STRENGTH

Between Windings	3410Vac (50Hz/3mA/1min)
------------------	-------------------------