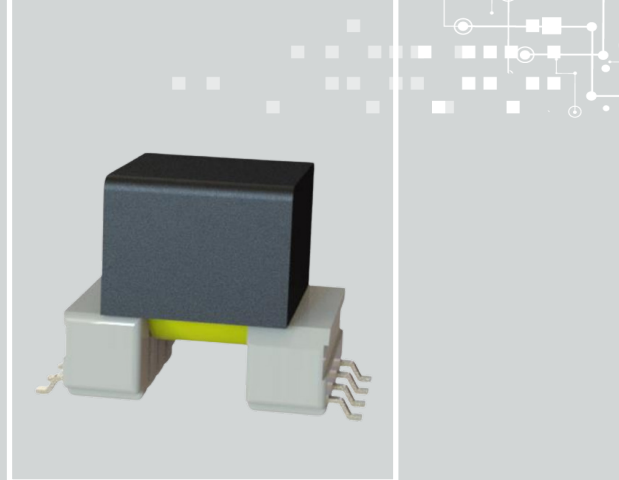


New

FLYT-006

SMD FLYBACK 1:1 Lp56uH Ipk800/2x200mA

INDUCTIVE COMPONENTS / FLYBACK TRANSFORMER



APPLICATIONS

> Automotive EV/PHV AC/DC onboard battery chargers

01 FEATURES

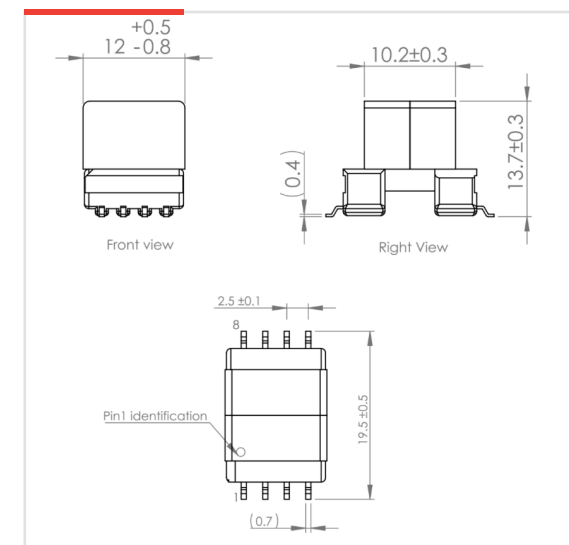
- > Continuous Mode Flyback
- > Switching Frequency 480kHz
- > Duty cycle 80% MAX
- > Total output power Approx. 2.6 W
- > Weight : approx 4.3g.

02 OPERATION

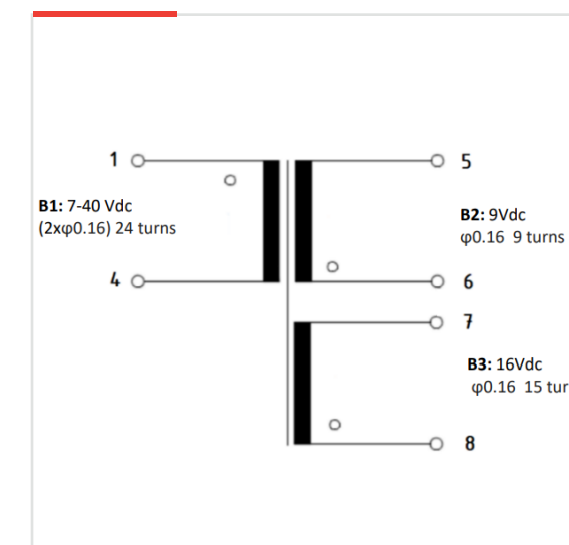
- > Ambient temperature -40°C to +125°C
- > Estimated total losses (@480kHz, Pout=2.6W, Vin=7V, 00°C):
- > Copper losses (DC) 110 mW
- > Core losses 5 mW
- > Total losses 220 mW

03 SPECIFICATIONS

DIMENSIONS (mm)



ELECTRICAL DIAGRAM



ELECTRICAL SPECIFICATIONS

MAG. INDUCTANCE at 25°C	
LB1	56 μH TYP (67.2 μH MAX)
LEAKAGE INDUCTANCE	
B1	2.7 μH Max
DC RESISTANCE at 25°C	
B1, Pins 1 to 4	310 mΩ Max
B2, Pins 6 to 5	235 mΩ Max
B3, Pins 8 to 7	390 mΩ Max
TURN RATIO (10kHz/1Vac)	
B1: B2 : B3	24 : 9 : 15
DIELECTRIC STRENGTH	
BETWEEN B1 AND B2,B3	2700 Vdc (5 mA; 2 sec)