

KGEA-TH

75x16x6.3mm (33μH – 500μH)

Keyless go emitter antenna through-hole versión

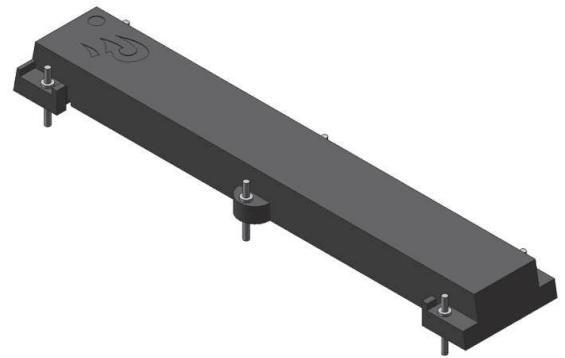
Characteristics:

This emitter antenna is specifically designed for applications in which it is necessary to get a big read range with a minimum size on PCB in low frequency base stations.

It is a perfect solution to be used in vehicles passive entry applications (PE, passive entry) or TPMS (Tire Pressure Monitoring system), especially when high mechanical stress is involved.

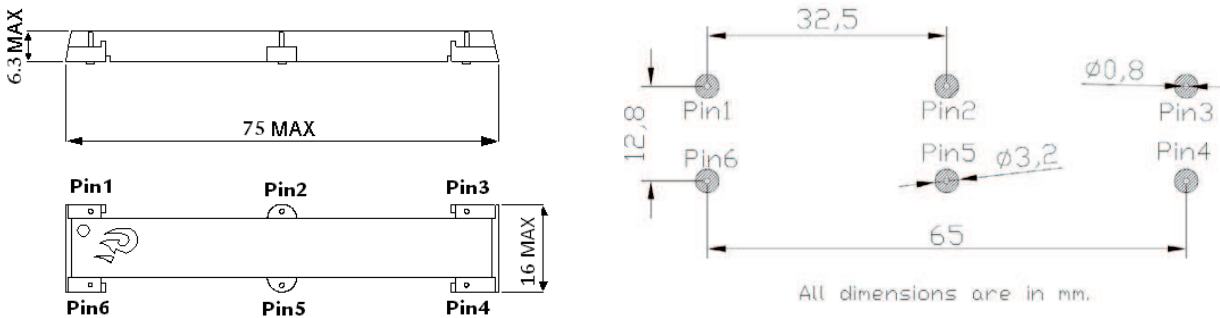
It has **75mm x 16mm x 6.3mm** for THT (Through hole Technology) assembly. The module antenna is formed only by ferrite core wound inside of a plastic housing and it filled with resin of polyurethane.

- High reading distance with minimum size.
- Designed for a range of working frequency LF (20kHz, 125kHz and 134,2kHz).
- Antenna current. Max. 4 App, Duty 30%
- High stability in temperature (- 40°C to +85°C).
- THT mounting and customer inductance value under demand.

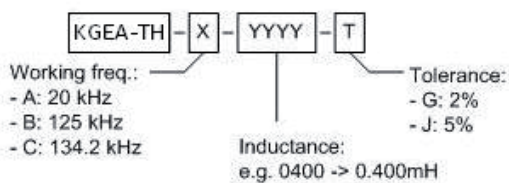


PKE emitter antennas

Dimensions and recommended pad layout



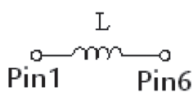
Nomenclature description



Electrical Specifications:

P/N	L (mH)	Cres (nF)	Q	SRF (MHz)	Freq. (kHz)
KGEA-TH-B-0108J	0.108	15.00	>110	>3	125@
KGEA-TH-B-0162J	0.162	10.00	>125	>3	125@
KGEA-TH-B-0240J	0.240	6.8	>125	>3	125@
KGEA-TH-B-0345J	0.345	4.7	>125	>3	125@
KGEA-TH-B-0500J	0.500	3.3	>125	>3	125@
KGEA-TH-C-0030J	0.030	47.00	>75	>3	134,2@
KGEA-TH-C-0141J	0.141	10.00	>125	>3	134,2@
KGEA-TH-C-0207J	0.207	6.8	>130	>3	134,2@
KGEA-TH-C-0300J	0.300	4.7	>130	>3	134,2@
KGEA-TH-C-0426J	0.426	3.3	>130	>3	134,2@

Electrical diagram



This chart is a reference guide for the most common required values at working frequency of 20 kHz, 125 kHz or 134.2 kHz. Any other inductance value at LF or tighter tolerances can be provided. Please contact our sales department for any inquiry.