

New

CMCN2R0-24H

Common Mode Choke 2x2.5mH/35Apk

INDUCTIVE COMPONENTS / COMMON MODE CHOKES



APPLICATIONS

- > Automotive EV/PHV AC/DC onboard battery chargers
- > Automotive HV/LV DC/DC converters

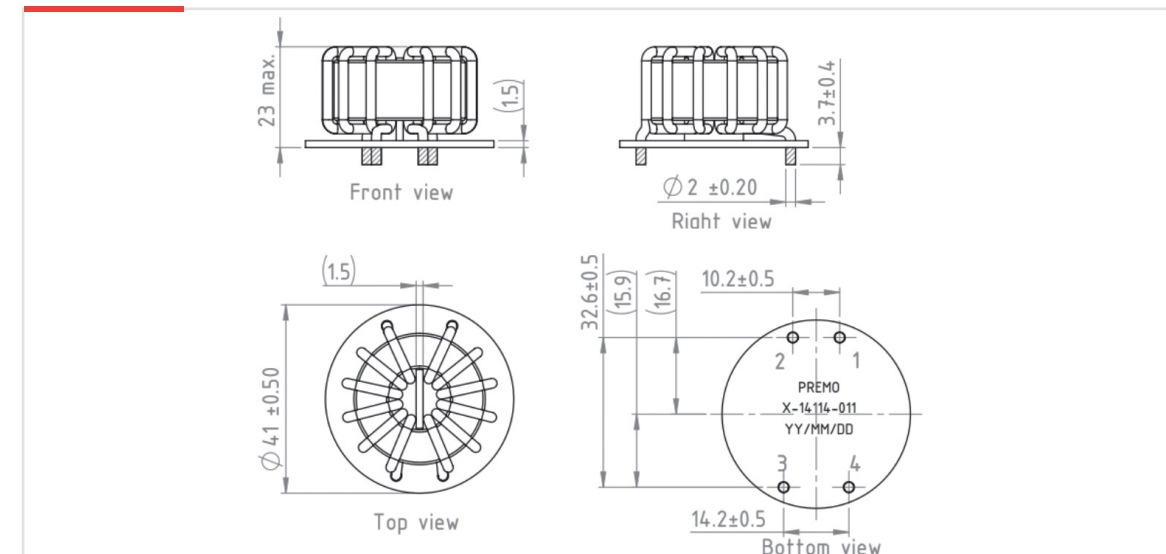
01 FEATURES

- > Common Mode Choke
- > Rated current: 24 A
- > Peak current: 35 A
- > Max operating voltage: 870 V
- > Operating ambient temperature: -40°C to +150°C
- > Weight: Approx. 45 grams

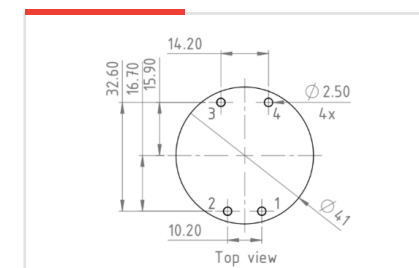
02 OPERATION

- > Estimated copper losses (85°C, 24Arms): 2.4 W

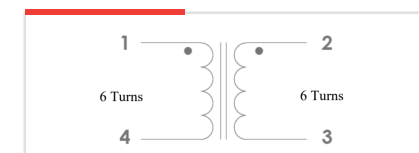
03 SPECIFICATIONS



RECOMMENDED PAD-LAYOUT



ELECTRICAL DIAGRAM



ELECTRICAL SPECIFICATIONS

INDUCTANCE at 25°C

L1 - 4 = L2 - 3 (10 kHz / 300mVac) | 2.6 mH TYP (1.7 - 3.6 mH)

TURN-RATIO

N1 - 4 / N2 - 3 | 6:6

DC RESISTANCE at 25°C

RDC1 - 4 = RDC2 - 3 | 1.7 mΩ TYP < 2.2 mΩ MAX

LEAKAGE INDUCTANCE

Llk1-4 (100kHz / 1 Vac, 2-3 shorted) | 12μH TYP (9-15μH)

DIELECTRIC STRENGHT

Between Windings | 2500 Vac (50-60Hz/0.1 mA/2s)