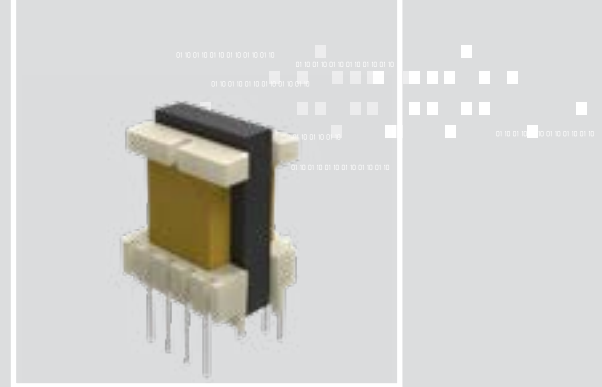


FLYT-010

Flyback Tr. 2.7mH 1 : 4.76 : 7.14

INDUCTIVE COMPONENTS / FLYBACK TRANSFORMER



APPLICATIONS

- › Mains Isolated flyback transformer for industrial / white goods use

01 FEATURES

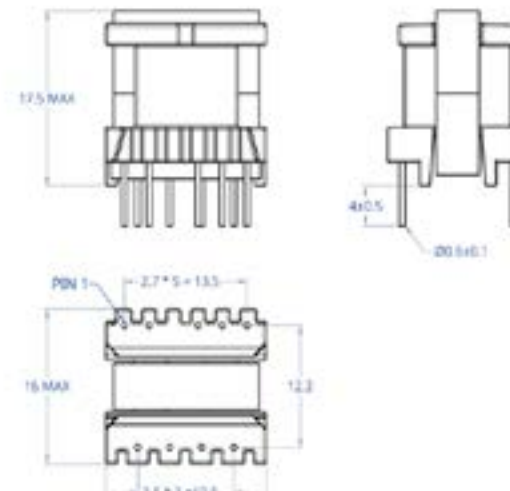
- › Power: 10W
- › Switching Frequency: 60kHz
- › Weight : <15 g.

02 OPERATION

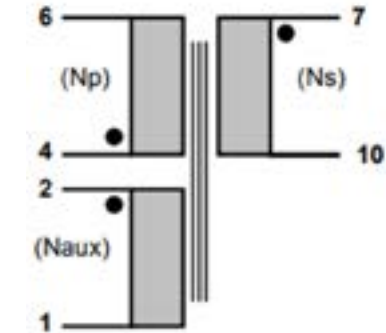
- › Vin Range =(200-380)V, Vaux/laux =18.3 V/10mA, Vout/lout =12V/800mA
- › Operating temperature -40/+125°C

03 SPECIFICATIONS

DIMENSIONS (mm)



ELECTRICAL DIAGRAM



ELECTRICAL SPECIFICATIONS

MAG. INDUCTANCE at 25°C

L(4 - 6)	2.7 mH Typ
----------	------------

LEAKAGE INDUCTANCE

PRIMARY (4 - 6)	75 μH MAX
-----------------	-----------

DC RESISTANCE at 25°C

DC RESISTANCE R1-6	8.6 Ω Max
DC RESISTANCE R2-1	1.5 Ω Max
DC RESISTANCE R7-10	152 mΩ Max

DIELECTRIC STRENGTH

Between PRI (Np) and AUX (Naux)	1 1.5kV (50Hz; 3 mA; 2 sec)
Between PRI, AUX (Np , Naux) and SEC (Ns)	4kV (50Hz; 3 mA; 2 sec)

TURN RATIO (10kHz/1Vac)

Np : Naux : Ns	1 :4.76 : 7.14
----------------	----------------