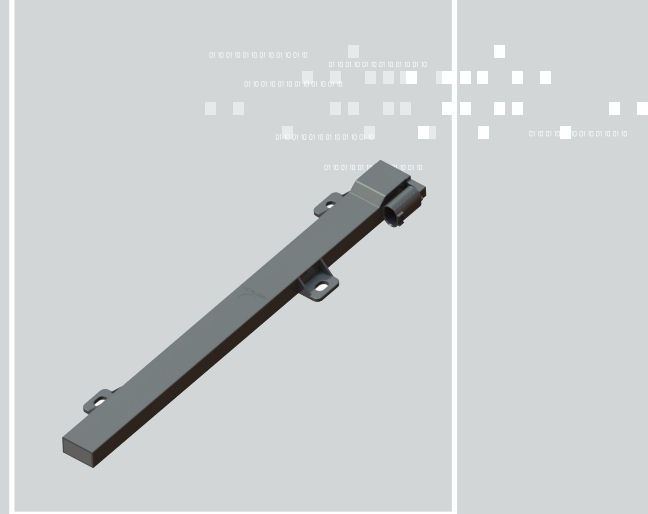


New

KGEA-LR

LF Long Range Antenna Housing
265x21x11,5mm (100µH - 500µH)

EMITTER ANTENNAS / LONG RANGE



FEATURES

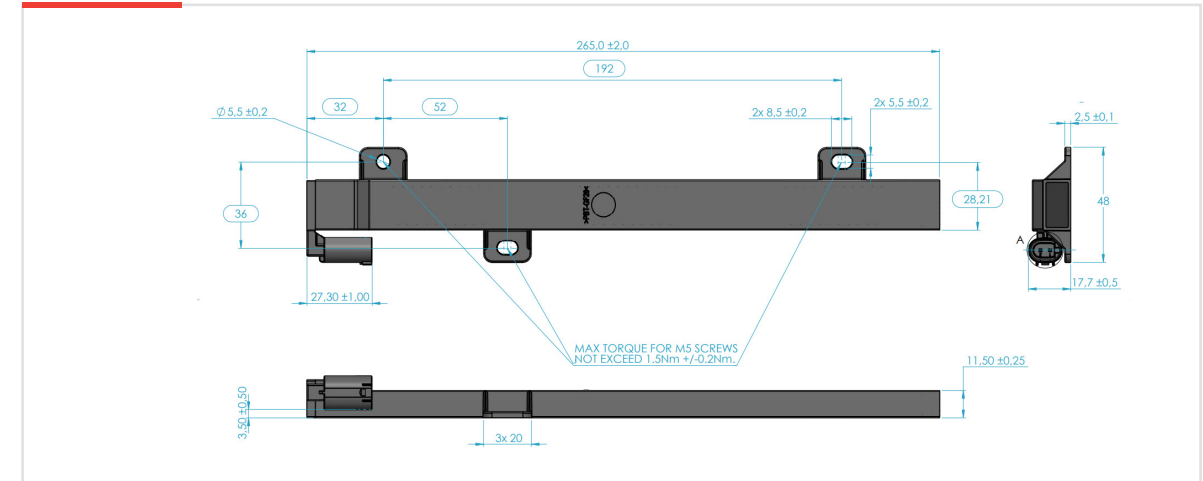
- › Transmitting low frequency.
- › High Strength Magnetic Field and Sensitivity.
- › High impact absorption and mechanical reduction preventive. Material PBT-GF20%
- › LF emitter antenna assembly by external housing + Sealed by PU-resin.
- › Flat antenna lateral position connector assembled into external housing plastic.
- › Strong anchor points which provide an easy assembly and will ensure mechanical robustness.
- › IP6k grade waterproof

01 ELECTRICAL PARAMETERS

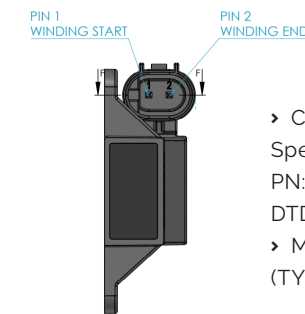
- › Work frequency LF: fo= 20Khz, 125kHz and 134,2,KHz
- › Reference Electrical Field: E-field > 145 (dBµV/m @2App@1 meter @125khz)
- › Reading Distance from 6 to 9 meters (depending load lpp)
- › lpp max until 5App
- › High stability in temperature (-40°C up to +85°C).
- › Reliability test: This part is according to AEC-Q200 Revision C.

02 SPECIFICATIONS

DIMENSIONS (mm)

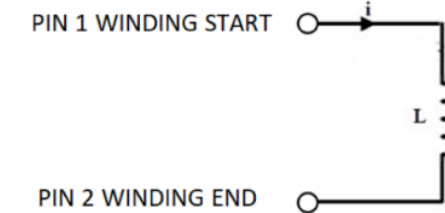


CONECTOR PIN LAYOUT



- › Connector according to Specification: AMP (TYCO), PN:114-18063-012 REV D4 DTD 10MAR08, CODIG A.
- › Mating Connector; AMP (TYCO) PN: 1-1438608-1.

SCHEMATIC DIAGRAM



ELECTRICAL SPECIFICATIONS

PART NUMBER	L Inductance ± 5%	Q-factor min	Freq. (kHz)	Rdc (mΩ) ± 10%
KGEA-LR-B-0125J	125uH	150	125,0	280