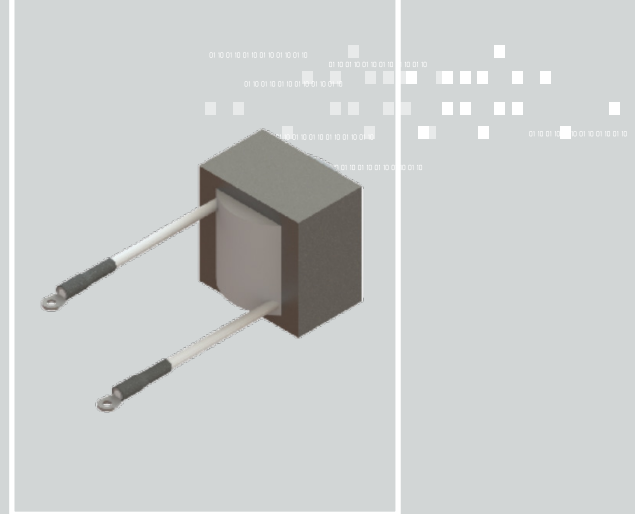


New

## PBC-FESI-002

20kHz 32A 120 $\mu$ H

INDUCTIVE COMPONENTS / OFFBOARD CHARGERS  
TRANSFORMERS



### APPLICATIONS

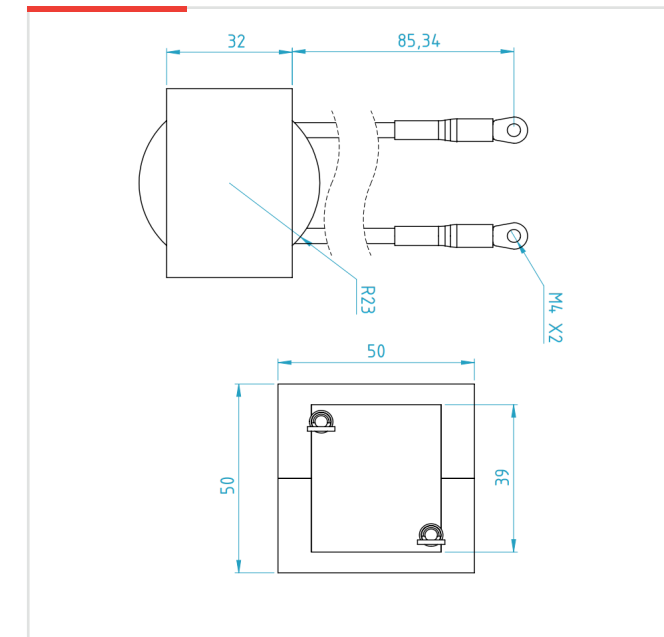
› PFC Boost inductor

## 01 FEATURES

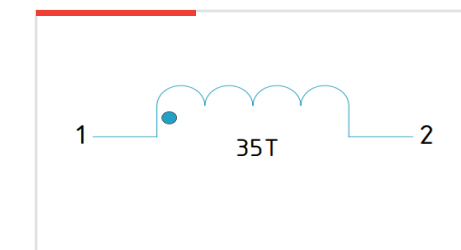
- › Fully aluminum base encapsulated and filled thermal compound for heat dissipation.
- › Working frequency: 20KHz
- › Continuous current: 32 Arms
- › Ripple current: 18.6 Appk
- › Copper losses @100 °C (32 Arms): 16.6 W
- › Core losses @100 °C (18.6 App, 20 kHz): 6.1 W
- › Total losses: 22.7

## 02 SPECIFICATIONS

### DIMENSIONS (mm)



### ELECTRICAL DIAGRAM



### ELECTRICAL SPECIFICATIONS

Working Voltage	400V
Current	32Arms
Riple Current	18.6App
Inductance	218 $\mu$ H $\pm$ 12%
Inductance: (32Arms)	218 $\mu$ H $\pm$ 12%
Rdc @25°C	12.3 mOhm typ
<b>DIELECTRIC STRENGTH</b>	
Winding to core	3000 Vac 50/60Hz 1 min

### INDUCTANCE VS CURRENT

