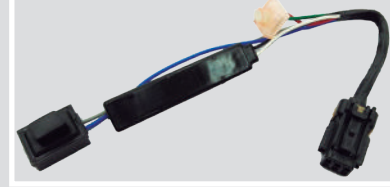


New

KGEA-DHSL

Door Handle antenna LF for smart entry system
(SWITCH and LED)

EMITTER ANTENNAS / SHORT RANGE



FEATURES

PREMO is developing customized door handle antennas using a type of technology over-molding low pressure depending on the mechanical requirements and water-proof IP degree required by the customer.

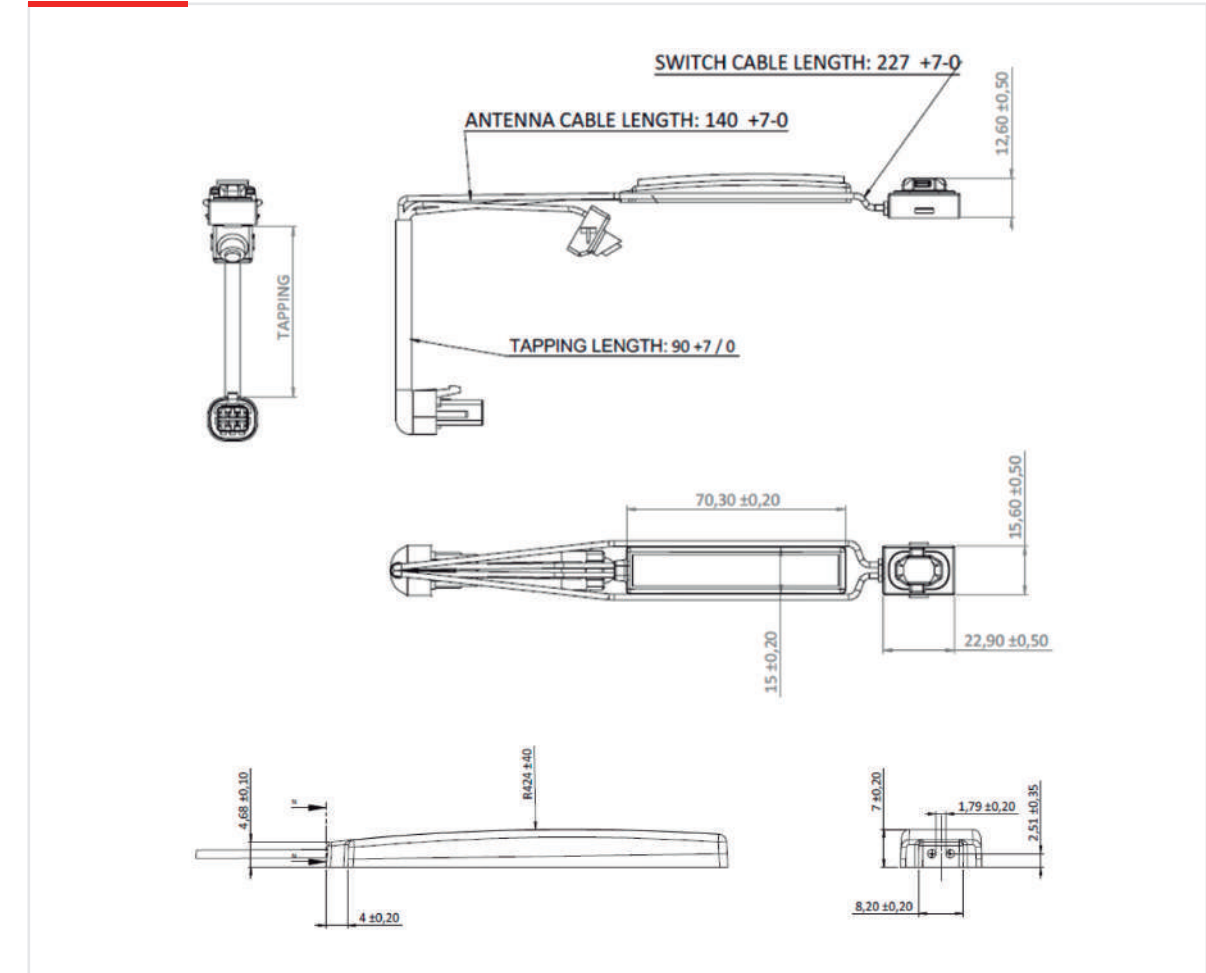
For Door Handle Antennas, we also have the ability to integrate in a unique connector (6ways), the Antenna LF + Switch + LED as a single whole.

01 CHARACTERISTICS

- › Overmolded Antenna with Low Pressure Technology (LPM)
- › LPM is a well know technology PREMP
- › Very fast to produce (No Curing needed)
- › Low Profile. Height max= 7,2 mm.
- › IP56 grade Waterproof.
- › Connector located outside assembly Antenna LF, Switch and LED.
- › High stability in temperature (-40°C up to +85°C).
- › Resonant frequency adjusting below +/- 2kHz.
- › Custom L-C value @ F-Res
- › This antenna is designed based on AECQ-200

02 SPECIFICATIONS

DIMENSIONS (mm)



New

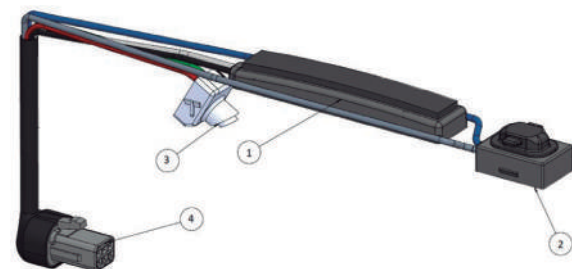
KGEA-DHSL

Door Handle antenna LF for smart entry system (SWITCH and LED)

EMITTER ANTENNAS / SHORT RANGE



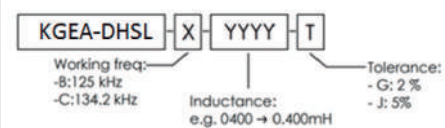
COMPONENTS OF THE PART



PART NAME	
1	LF Antenna Over-molded by LPM
2	SWITCH
3	LED
4	CONNECTOR KET MG614130-4

NOMENCLATURE DESCRIPTION AND SCHEMATIC DIAGRAM

L+C IN SERIES



ELECTRICAL SPECIFICATIONS

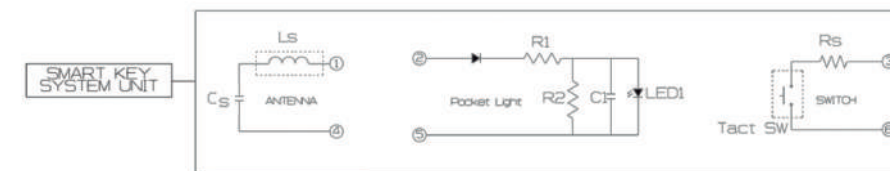
Operating Frequency @114,5Khz @25°C
@1Vac. (L+C in series)

KGEA-DHSL-C-0285J

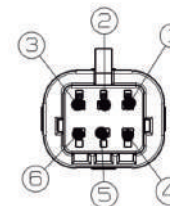
L (mH)	0.285
Cres (nF)	6.8
Cres (nF)	>115
Q (L+C)	>135
Rac(Ω)	<2
Arms	1A

Antenna is measured in resonant mode.

CIRCUIT DIAGRAM



O/S CONNECTOR (SMK WITH P/ LIGHT)
Female Connector: KET MG614130-4



VIEW "Y"
SCALE 2/1
(B,4)

PART NAME				
N°	FUNCTION	HARNESS COLOR	MATERIAL	2Q.
1	ANTENNA.PWR	WHITE	TXL	0.3
2	LED.PWR	RED	UL	0.5
3	BUTTON.PWR	BLUE	AVS	0.3
4	ANTENNA.GND	BLACK	TXL	0.3
5	LED.GND	GREEN	UL	0.5
6	BUTTON.GND	GRAY	AVS	0.3

FIELD MAGNETIC STRENGTH

PROCEDURE / SETUP

- › Antenna PREMO mounted on Reader and signal amplifier (I=2App. V=5Vpp).
- › Probe FMZB 1538143 (as receiver) used to measure the magnetic field (dBµV/m).

RESULT

- › 105 dBµV/m ± 2dB@3 meters (I=2App; V=5Vpp) in maximum direction.