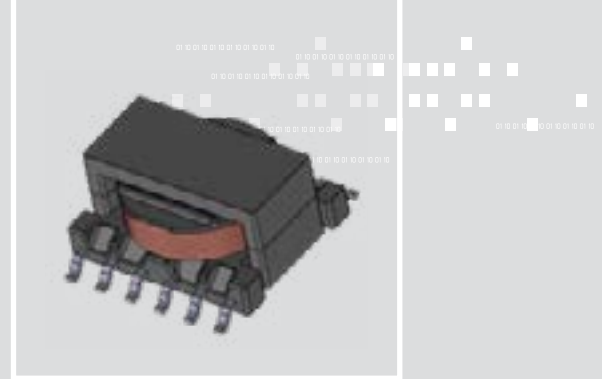


FLYT-009

Flyback Tr. 25uH 10 : 25 : 25 : 25

INDUCTIVE COMPONENTS / FLYBACK TRANSFORMER



APPLICATIONS

- › AC/DC and DC/DC main boards in xEV converters, low power applications

01 FEATURES

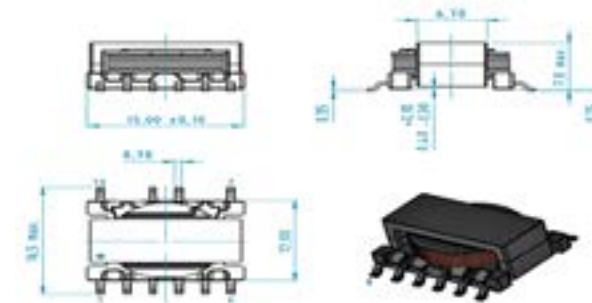
- › Power: 1.5W
- › Switching Frequency: (60-100) kHz
- › Weight: < 5g.

02 OPERATION

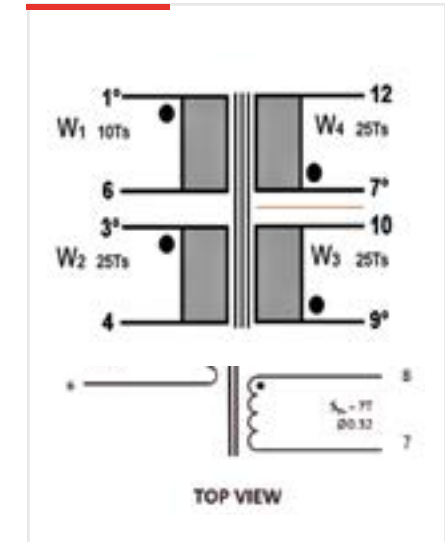
- › Vin Range=(8-18)V, Vout/Iout =(2x) 15V/60mA, 15 V/13mA
- › Operating temperature -40/+125°C
- › ESTIMATED TOTAL LOSSES (@60kHz, Pout=1.5W, Vin=8V, 100°C):
- › Copper losses (DC) 150 mW
- › Core losses 50 mW
- › Total losses 0.2 W

03 SPECIFICATIONS

DIMENSIONS (mm)



ELECTRICAL DIAGRAM



ELECTRICAL SPECIFICATIONS

MAG. INDUCTANCE at 25°C

L(1-6) (60kHz, 0.1 Vac) 25 μH ±12%

LEAKAGE INDUCTANCE

PRIMARY Llk (1-6) (60kHz, 0.1Vac) 500 nH MAX

DC RESISTANCE at 25°C

DC RESISTANCE R1-6 110 mΩ Max
 DC RESISTANCE R3-4 2.0 Ω Max
 DC RESISTANCE R9-10 1.5 Ω Max
 DC RESISTANCE R7-12 1.5 Ω Max

DIELECTRIC STRENGTH

Between PRI, SEC1 (W1, W2) and SEC2, SEC3 (W3, W4) 2700Vac (50Hz; 1 mA; 60 sec)
 Between PRI (W1) and SEC1 (W2) 500Vac (50Hz; 1 mA; 60 sec)
 Between SEC 3 (W3) and SEC3 (W4) 1000Vac (50Hz; 0.04 mA; 60 sec)

TURN RATIO (10kHz/1Vac)

W1 : W2 : W3 : W4 10 : 25 : 25 : 25