

KGEA-HBT

Short Range Antenna LF for smart entry system.
External housing + LPM (filled)

EMITTER ANTENNAS / SHORT RANGE



FEATURES

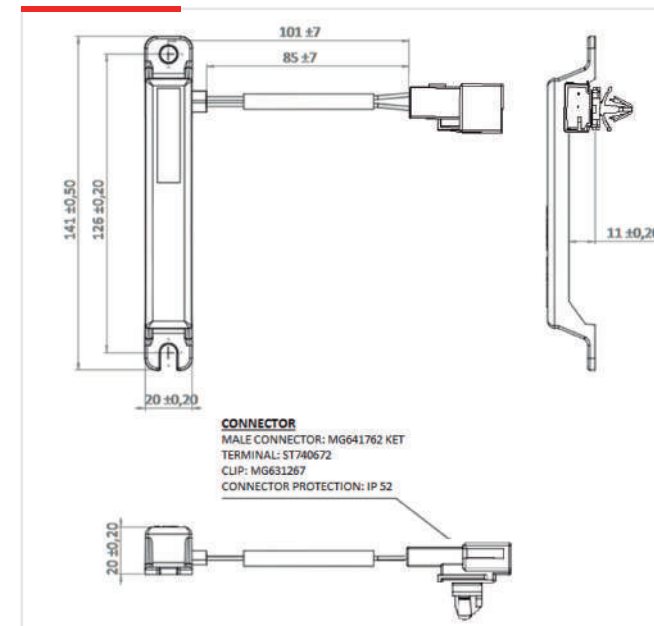
PREMO offers a short antenna with a high mechanical robustness and the best performance electrical on metal surface due to its bridge type design external housing.

01 CHARACTERISTICS

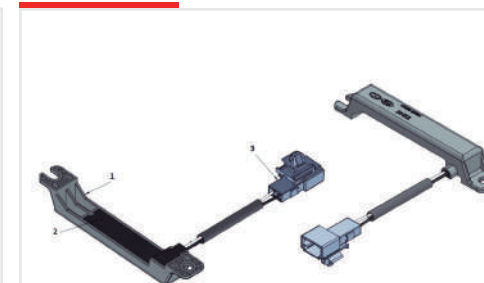
- › Short antenna (length until 150 mm).
- › External housing shape H-bridge Material PBT-GF30% or PA66-GF30%.
- › Strong anchor points which provide an easy assembly and will ensure mechanical robustness.
- › Higher impact absorption and mechanical reduction preventive.
- › LF antenna module inside external housing is to cover by Low Pressure Technology (LPM)
- › LPM is a well know technology in PREMO.
- › Very fast to produce (No Curing needed)
- › IP56 grade Waterproof
- › Connector Non Waterproof IP52 located outside assembly housing plastic base.
- › High stability in temperature (-40°C up to +85°C).
- › Resonant frequency adjusting below +/- 2kHz.
- › Custom L-C value (F-Resonant)
- › This antenna is designed based on AECQ-200.

02 SPECIFICATIONS

DIMENSIONS (mm)



COMPONENTS OF THE PART

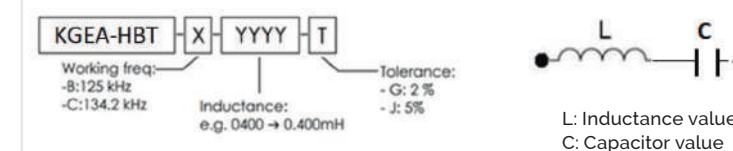


PART NAME

1	External Housing PA66-GF30%
2	Module LF Antenna + LPM (cover)
3	CONNECTOR KET MG641762 Non Waterproof IP52

NOMENCLATURE DESCRIPTION AND SCHEMATIC DIAGRAM

L+C IN SERIES



ELECTRICAL SPECIFICATIONS

Operating Frequency @134,5Khz
@25°C @1Vac. (L+C in series)

KGEA-HBT-C-0205J

L (mH)	0.205
Cres (nF)	6.8
Q (L+C)	>135
Rac(Ω)	<1,5
Arms	1A

Antenna is measured in resonant mode.

FIELD MAGNETIC STRENGTH

PROCEDURE / SETUP

- › Antenna PREMO mounted on Reader and signal amplifier (I=2App, V=5Vpp).
- › Probe FMZB 1538143 (as receiver) used to measure the magnetic field (dBµV/m).

RESULT

- › 105 dBµV/m ± 2dB@3 meters (I=2App; V=5Vpp) in maximum direction.