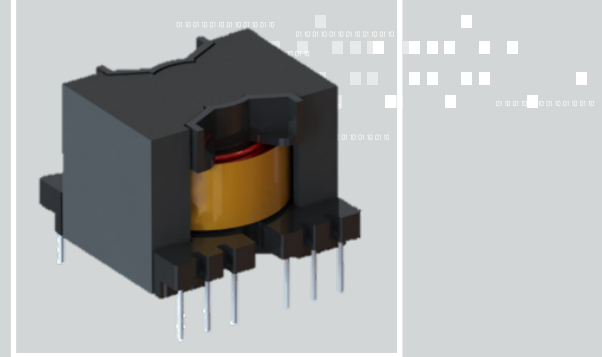


FLYT-012

Flyback DCM Prim:100-400V Sec:3x12V 80kHz

INDUCTIVE COMPONENTS / FLYBACK TRANSFORMER



APPLICATIONS

- › Automotive EV/PHV AC/DC onboard battery chargers



01 FEATURES

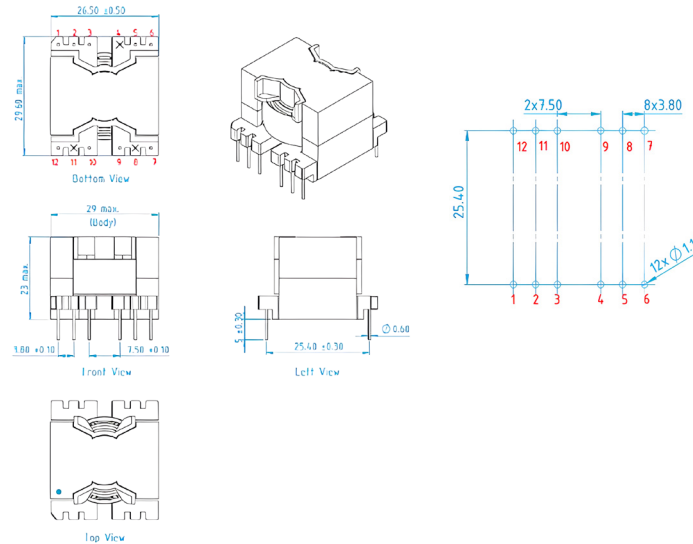
- › DCM Flyback
- › THT mounting
- › Weight : approx 37g.

02 OPERATION

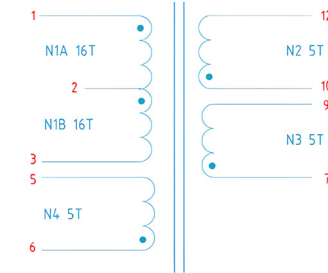
- › Operating temperature -40/+125°C
- › Switching frequency 80kHz
- › Input Prim: 100-400V/0.6Arms/1.4Apk
- › Output Sec1: 12V/1.5A; Sec2: 12V/0.4A; Sec3: 12V/0.1A
- › ESTIMATED TOTAL LOSSES:
- › DC-Copper losses (Vin=100V/100°C) 0.8 W
- › Core losses (Vin=400V/132kHz/100°C) 0.13 W

03 SPECIFICATIONS

DIMENSIONS (mm)



ELECTRICAL DIAGRAM



ELECTRICAL SPECIFICATIONS

MAG. INDUCTANCE at 25°C

L(4 - 6)	2.7 mH Typ
----------	------------

LEAKAGE INDUCTANCE

PRIMARY (1 - 3) All Secondary shorted	10 µH MAX
---------------------------------------	-----------

DIELECTRIC STRENGTH

Between PRI (N1A, N1B) and SEC (N2,N3,N4)	3000Vac (50/60Hz; 3 mA; 2 sec)
Between SEC-N2 and SEC-N3	3000Vac (50/60Hz; 3 mA; 2 sec)
Between windings and core	500Vac (50/60Hz; 3 mA; 2 sec)

TURN RATIO (10kHz/1Vac)

(N1A+N1B) : N2 : N3 : N4	32 : 5 : 5 : 5
--------------------------	----------------