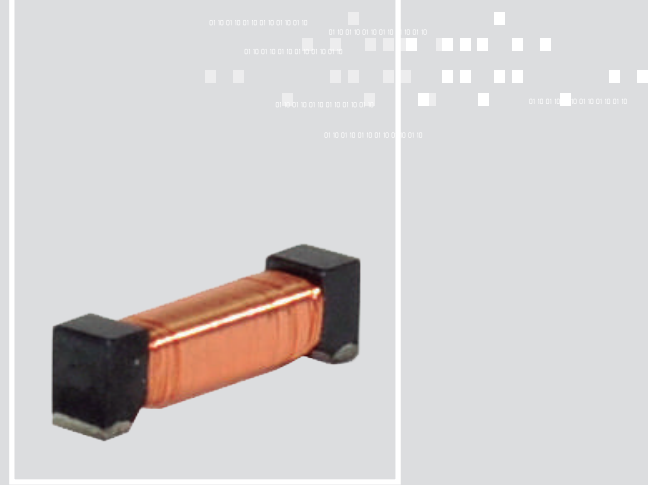


TP0702U

SMD Transponder Coil

7.8x2.2x2.5mm MAX

SINGLE AXIS TRANSPONDERS INDUCTORS



FEATURES

This TP0702U Series of Surface Mountable ferrite wound inductor is a stronger solution in very small dimensions performing very good electrical properties, **a very good solution for RTPMS, Keyless Go and Keyless entry systems.**

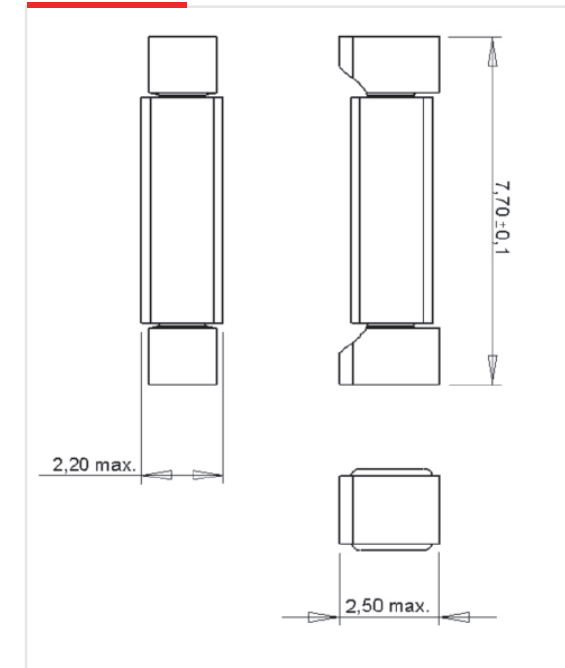
Due to its small dimensions, it's a suitable design for other applications working at lower frequencies.

01 CHARACTERISTICS

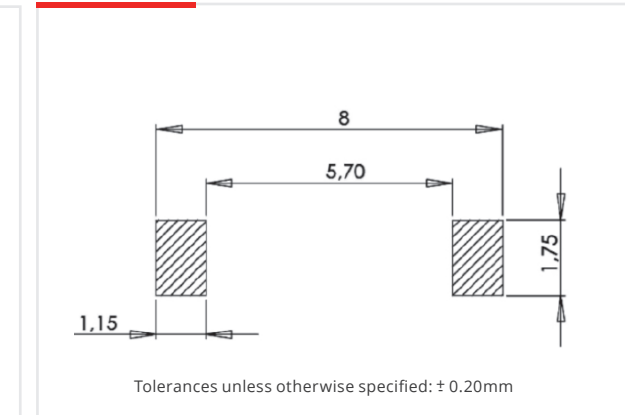
- › Size: 8x2.2x2.5mm.
- › Very good mechanical performance.
- › High sensitivity in the smallest volume.
- › Very stable electrical properties in full operational temperature range (-40, +125°C).
- › Good performance in thermal shock.
- › Big metallised pad area Pb free.
- › Good cost/performance ratio.
- › Terminals: Ag-Ni-Sn100.
- › Wire: H, 125°C, Solderable.
- › Max. Operating Temperature 125°C.

02 SPECIFICATIONS

DIMENSIONS (mm)



RECOMMENDED PAD-LAYOUT



ELECTRICAL SPECIFICATIONS | 125kHz

P/N	L (mH)	Q min	SRF (kHz) Min	DCR (Ω) Max	Sensitivity (mVpp/App/m) min	Dimensions (mm) Max
TP0702U-0238J	2.38 ± 5%	30	900	25.3	25	7.8 x 2.2 x 2.5
TP0702U-0491J	4.91 ± 5%	35	700	38.5	38	7.8 x 2.2 x 2.5
TP0702U-0720J	7.2 ± 5%	30	500	61.1	50	7.8 x 2.2 x 2.5
TP0702U-0900J	9.0 ± 5%	30	450	84.7	55	7.8 x 2.2 x 2.5

The specification chart is a reference guide for the most common required values at working frequencies of 125 kHz. Any other inductance value at LF or tighter tolerances can be provided.