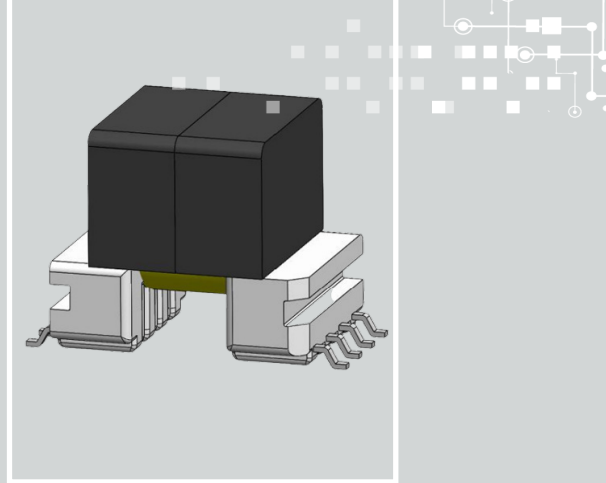


New

FLYT-007

SMD Flyback Tr. 1:1 Lp56uH RI >1000Vdc

INDUCTIVE COMPONENTS / FLYBACK TRANSFORMER



APPLICATIONS

> Automotive EV/PHV AC/DC onboard battery chargers

01 FEATURES

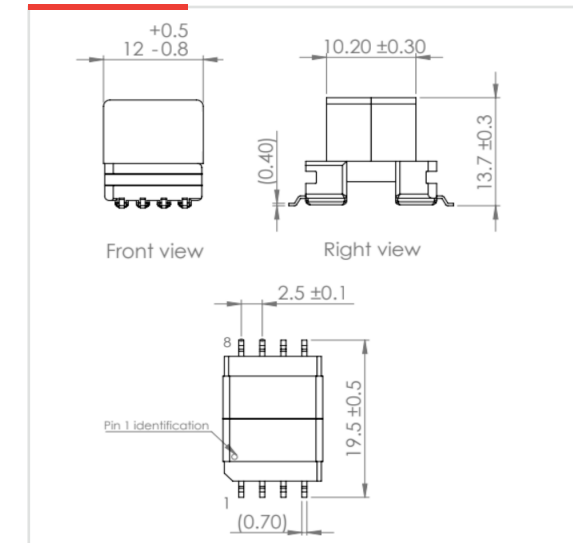
- > Continuous Mode Flyback
- > Switching Frequency 480kHz
- > Duty cycle 80% MAX
- > Total output power Approx. 2.6 W
- > Weight : approx 4.3g.

02 OPERATION

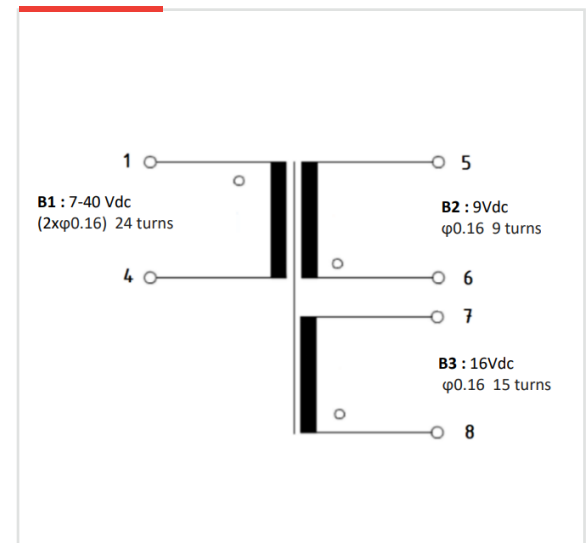
- > Ambient temperature -40°C to +125°C
- > Estimated total losses (@480kHz, Pout=2.6W, Vin=7V, 100°C):
- > Copper losses (DC) 110 mW
- > Core losses 5 mW
- > Total losses 220 mW

03 SPECIFICATIONS

DIMENSIONS (mm)



ELECTRICAL DIAGRAM



ELECTRICAL SPECIFICATIONS

MAG. INDUCTANCE at 25°C

LB1 | 56 μH TYP (67.2 μH MAX)

LEAKAGE INDUCTANCE

B1 | 2.7 μH Max

DC RESISTANCE at 25°C

B1, Pins 4 to 2 | 310 mΩ Max

B2, Pins 6 to 5 | 235 mΩ Max

B3, Pins 8 to 7 | 390 mΩ Max

TURN RATIO (10kHz/1Vac)

B1: B2 : B3 | 24 : 9 : 15

DIELECTRIC STRENGTH

BETWEEN B1 AND B2,B3 | 4300 Vdc (5 mA; 2 sec)